

• PP COMPRESSION FITTINGS

Reference Standard	BS 5114, AS 4020
Pipe Suitability	Polyethylene Pipe PE 80 & PE100 ISO 4427, MS 1058
Working Pressure	PN16 (20mm-63mm) PN12.5 (75mm-110mm)
Material	
Body	Polypropylene
Nut	Polypropylene
Clinching Ring	Acetal
'O' Ring	Nitrile Butadiene Rubber
Reinforced Cap	Stainless Steel, for female offtake from 50mm O.D. onward, for smaller sizes - available upon request

• IRRI COMPRESSION FITTINGS

Reference Standard	BS 5114, AS 4020
Pipe Suitability	Polyethylene Pipe, PE 80 & PE 100 ISO 4427, MS 1058
Working Pressure	PN10
Material	
Body	Polypropylene
Nut	Polypropylene
Chinching Ring	Acetal
'O' Ring	Nitrile Butadiene Rubber
Reinforced Cap	Stainless Steel, for female offtake from 50mm O.D. onward, for smaller sizes - available upon request

• PP MECHANICAL CLAMP SADDLE

Reference Standard	JKR 20709-0346-95
Pipe Suitability	Polyethylene Pipe, PE 80 & PE 100 ISO 4427, MS 1058
Working Pressure	PN12.5
Material	
Body	Reinforced Polypropylene
Reinforced Ring	Stainless Steel
Gasket / 'O' Ring	Nitrile Butadiene Rubber
Bolt & Nut	Mild Steel, Zinc Plated (Stainless Steel available upon request)

• PP TAPPING FERRULE

Reference Standard	JKR 20200-0055-99
Pipe Suitability	Polyethylene Pipe, PE 80 - SDR 11 ISO 4427, MS 1058 Unplasticised Polyvinyl Chloride pipe BS 3505 or MS 628
Working Pressure	PN12.5
Material	
Body	Polypropylene
Cap	Polypropylene
'O' Ring	Nitrile Butadiene Rubber
Cutter	Carbon Steel, Zinc Plated

• PE SOCKET FUSION FITTINGS

Reference Standard	DIN 16963
Pipe Suitability	Polyethylene Pipe, PE 80 & PE100 ISO 4427, MS 1058
Working Pressure	PN12.5
Material	
Body	Polyethylene - PE 80
Threaded Part	Brass

• PE FABRICATED ELBOW, TEE & CROSS

Reference Standard	DIN 16963
Pipe Suitability	Polyethylene Pipe, PE 80 / PE100 ISO 4427, MS 1058

• PE STUB END, REDUCER, SPIGOT END CAP

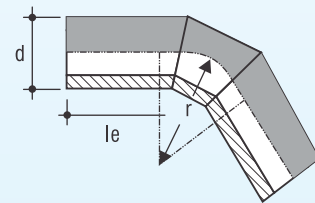
Reference Standard	DIN 16963
Pipe Suitability	Polyethylene Pipe, PE 80 & PE 100 SDR 21, 17, 13.6 & 11 ISO 4427, MS 1058
Working Pressure	PN 6, 8, 10, 12.5 & 16
Material	Polyethylene PE 80 / PE 100

• PP THREADED FITTINGS

Reference Standard	BS 21, ISO 7
Material	Polypropylene

Bend 45° - Fabricated : SDR 11, PE80

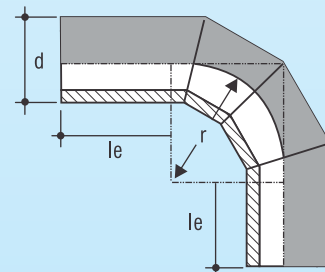
Product Code	d / mm	le / mm	r / mm	Approx. wt. kg / pc	Standard Packing bag(pcs)
E4317BF	75	150	113	1.00	15
E4318BF	90	150	135	1.50	10
E4319BF	110	150	165	1.78	8
E4320BF	125	150	188	1.98	6
E4321BF	160	150	240	3.90	4
E4322BF	180	150	270	5.15	3
E4323BF	200	150	300	6.50	1
E4324BF	225	150	338	9.00	1
E4325BF	250	250	375	15.10	NIL
E4326BF	280	250	420	19.98	NIL
E4327BF	315	300	473	29.88	NIL
E4328BF	355	300	533	42.62	NIL
E4329BF	400	300	600	66.83	NIL
E4330BF	450	300	675	78.40	NIL



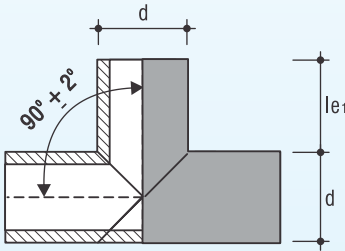
Note: SDR 21, SDR 17 & SDR 13.6 and PE100 available upon request.

Bend 90° - Fabricated : SDR 11, PE80

Product Code	d / mm	le / mm	r / mm	Approx. wt. kg / pc	Standard Packing bag(pcs)
E9317BF	75	150	113	1.17	10
E9318BF	90	150	135	1.43	8
E9319BF	110	150	165	2.00	6
E9320BF	125	150	188	1.81	5
E9321BF	160	150	240	5.60	3
E9322BF	180	150	270	6.70	2
E9323BF	200	150	300	9.50	1
E9324BF	225	150	338	13.00	1
E9325BF	250	250	375	17.05	NIL
E9326BF	280	250	420	21.05	NIL
E9327BF	315	300	473	45.10	NIL
E9328BF	355	300	533	58.61	NIL
E9329BF	400	300	600	79.95	NIL
E9330BF	450	300	675	95.05	NIL



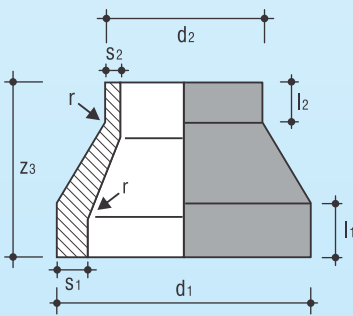
Note: SDR 21, SDR 17 & SDR 13.6 and PE100 available upon request.



Equal Tee - Fabricated: SDR 11, PE80

Product Code	d / mm	Approx. Wt. kg / pc	Standard Packing bag (pcs)
T317BF	75	1.05	10
T318BF	90	1.30	8
T319BF	110	1.97	5
T320BF	125	3.00	4
T321BF	160	5.18	3
T322BF	180	7.38	2
T323BF	200	9.00	1
T324BF	225	10.50	1
T325BF	250	15.00	NIL
T326BF	280	21.42	NIL
T327BF	315	32.09	NIL
T328BF	355	41.96	NIL
T329BF	400	54.90	NIL

Note: SDR 21, SDR 17 & SDR 13.6 and PE100 available upon request.



Reducer For Butt Fusion: SDR 11, PE80

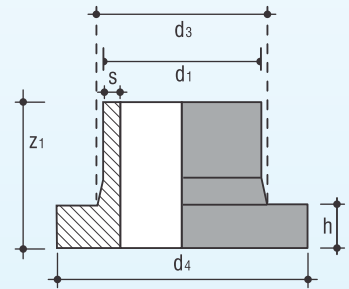
Product Code	d ₁ x d ₂ / mm	l ₁ / mm	l ₂ / mm	z ₃ / mm	s ₁ x s ₂ / mm	Approx. Wt. kg / pc	Standard Packing bag (pcs)
RD622BF	90 x 63	22	16	75	8.20 x 5.80	0.14	60
RD624BF	110 x 63	28	16	90	10.00 x 5.80	0.18	50
RD625BF	110 x 90	28	22	90	10.00 x 8.20	0.26	50
RD627BF	125 x 90	32	22	100	11.40 x 8.20	0.34	40
RD629BF	160 x 90	40	22	120	14.60 x 8.20	0.63	35
RD630BF	160 x 110	40	28	120	14.60 x 10.00	0.66	30
RD632BF	180 x 90	45	22	130	16.40 x 8.20	0.80	20
RD655BF	180 x 110	45	28	130	16.40 x 10.00	0.89	20
RD633BF	180 x 125	45	32	130	16.40 x 11.40	0.98	20
RD693BF	200 x 110	50	28	145	18.50 x 10.00	1.13	14
RD0622BF	200 x 125	50	32	145	18.50 x 11.40	1.29	14
RD634BF	200 x 160	50	40	145	18.50 x 14.60	1.42	14
RD678BF	200 x 180	50	45	145	18.50 x 16.40	1.56	14
RD635BF	225 x 160	55	40	160	20.50 x 14.60	1.77	12
RD636BF	225 x 180	55	45	160	20.50 x 16.40	1.90	12
RD689BF	250 x 110	60	35	175	22.70 x 10.00	1.67	10
RD637BF	250 x 160	60	40	175	22.70 x 14.60	★	10
RD638BF	250 x 180	60	45	175	22.70 x 16.40	2.22	10

★ Available upon request

Note: SDR 21, SDR 17 & SDR 13.6 and PE100 available upon request.

Stub End - Short Collar: SDR 11, PE80

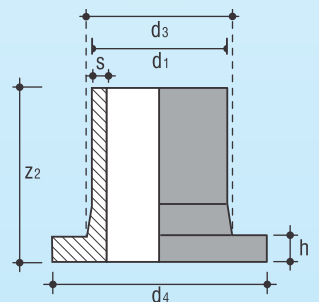
Product Code	d ₁ / mm	d ₃ / mm	d ₄ / mm	z ₁ / mm	s / mm	h / mm	Approx. Wt. kg / pc	Standard Packing bag (pcs)
SE316BF	63	75	102	50	5.80	14	0.13	150
SE318BF	90	105	130	80	8.20	17	0.31	50
SE319BF	110	125	158	80	10.00	18	0.46	40
SE320BF	125	132	158	80	11.40	25	0.51	30
SE321BF	160	175	212	80	14.60	25	0.94	20
SE322BF	180	181	212	80	16.40	30	0.97	20
SE323BF	200	232	268	100	18.20	32	1.85	12
SE324BF	225	235	268	100	20.50	32	1.85	12
SE325BF	250	285	320	100	22.70	35	2.90	8
SE326BF	280	291	320	110	25.40	35	2.91	7
SE327BF	315	335	370	110	28.60	35	3.92	5
SE328BF	355	373	430	120	32.20	40	5.42	4
SE329BF	400	427	482	120	36.30	46	7.38	1
SE330BF	450	514	550	130	40.90	46	7.50	1
SE331BF	500	530	585	130	45.40	46	10.05	1



Note: SDR 21, SDR 17 & SDR 13.6 and PE100 available upon request.

Stub End - Long Collar: SDR 11, PE80

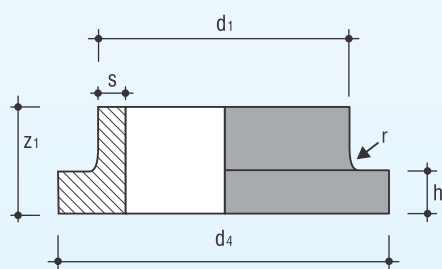
Product Code	d ₁ / mm	d ₃ / mm	d ₄ / mm	z ₂ / mm	s / mm	h / mm	Approx. Wt. kg / pc	Standard Packing bag (pcs)
SE(L)311BF	# 20	27	45	85	2.30	7	0.02	400
SE(L)312BF	25	33	58	85	2.30	9	0.04	300
SE(L)313BF	32	40	68	85	3.00	10	0.06	200
SE(L)315BF	50	61	88	85	4.60	12	0.11	150
SE(L)316BF	63	75	102	95	5.80	14	0.17	100
SE(L)318BF	90	105	130	140	8.20	17	0.44	40
SE(L)319BF	110	125	158	160	10.00	18	0.72	20
SE(L)320BF	125	132	158	170	11.40	25	0.90	20
SE(L)321BF	160	175	212	200	14.60	25	1.74	10
SE(L)322BF	180	181	212	200	16.40	30	2.00	9
SE(L)323BF	200	232	268	200	18.20	32	2.91	6
SE(L)324BF	225	235	268	200	20.50	32	3.25	6
SE(L)325BF	250	285	320	200	22.70	35	4.80	4
SE(L)326BF	280	291	320	200	25.40	35	4.90	3
SE(L)327BF	315	335	370	200	28.60	35	7.00	2
SE(L)328BF	*355	373	430	280	32.20	40	9.99	1
SE(L)329BF	*400	427	482	320	36.30	46	10.12	1
SE(L)330BF	*450	514	550	330	40.90	46	10.80	1



denote - SDR 9

* Have section of pipe welded to the moulding

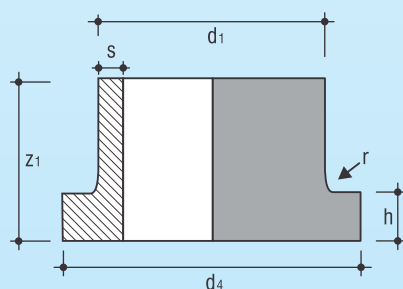
Note: SDR 21, SDR 17 & SDR 13.6 and PE100 available upon request.



Stub End - Short Collar (Reduction Type): SDR 11, PE80

Product Code	d ₁ / mm	h / mm	d ₄ / mm	z ₁ / mm	s / mm	Approx. Wt. kg / pc	Standard Packing bag (pcs)
SE340BF	250	35	274	100	22.70	2.80	8
SE342BF	315	35	329	100	28.60	4.00	5
SE336BF	355	40	385	120	32.20	4.95	5
SE337BF	400	46	440	120	36.30	6.90	1
SE338BF	450	46	550	120	40.90	7.05	1
SE339BF	500	46	795	130	45.40	8.00	1

Note: SDR 21, SDR 17 & SDR 13.6 and PE100 available upon request.



Stub End - Long Collar (Reduction Type): SDR 11, PE80

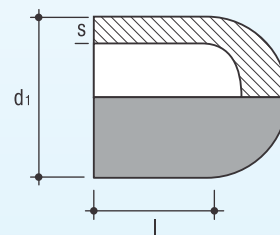
Product Code	d ₁ / mm	h / mm	d ₄ / mm	z ₁ / mm	s / mm	Approx. Wt. kg / pc	Standard Packing bag (pcs)
SE(L)340BF	250	35	274	200	22.70	4.65	4
SE(L)342BF	315	35	329	200	28.60	6.50	2
SE(L)336BF	355	43	390	290	29.40	9.00	2
SE(L)337BF	* 400	46	495	200	36.30	8.80	1
SE(L)338BF	* 450	46	550	200	40.90	9.30	1

* Have section of pipe welded to the moulding

Note: SDR 21, SDR 17 & SDR 13.6 and PE100 available upon request.

Spigot End Cap: SDR 11, PE80

Product Code	d ₁ / mm	l / mm	s / mm	Approx. Wt. kg / pc	Standard Packing bag (pcs)
EC316BF	63	60	5.80	0.10	150
EC318BF	90	90	8.20	0.32	40
EC319BF	110	90	10.00	0.46	30
EC320BF	125	90	11.40	0.60	20
EC321BF	160	120	14.60	1.30	16
EC322BF	180	130	14.80	1.50	15



Note: SDR 21, SDR 17 & SDR 13.6 and PE100 available upon request.