

• PP COMPRESSION FITTINGS

Reference Standard	BS 5114, AS 4020
Pipe Suitability	Polyethylene Pipe PE 80 & PE100
	ISO 4427, MS 1058
Working Pressure	PN16 (20mm-63mm) PN12.5 (75mm-110mm)
Material	
Body	Polypropylene
Nut	Polypropylene
Clinching Ring	Acetal
'O' Ring	Nitrile Butadiene Rubber
Reinforced Cap	Stainless Steel, for female offtake from 50mm O.D. onward, for smaller sizes - available upon request

• IRRI COMPRESSION FITTINGS

Reference Standard	BS 5114, AS 4020
Pipe Suitability	Polyethylene Pipe, PE 80 & PE 100
	ISO 4427, MS 1058
Working Pressure	PN10
Material	
Body	Polypropylene
Nut	Polypropylene
Chinching Ring	Acetal
'O' Ring	Nitrile Butadiene Rubber
Reinforced Cap	Stainless Steel, for female offtake from 50mm O.D. onward, for smaller sizes - available upon request

• PP MECHANICAL CLAMP SADDLE

Reference Standard	JKR 20709-0346-95
Pipe Suitability	Polyethylene Pipe, PE 80 & PE 100
	ISO 4427, MS 1058
Working Pressure	PN12.5
Material	
Body	Reinforced Polypropylene
Reinforced Ring	Stainless Steel
Gasket / 'O' Ring	Nitrile Butadiene Rubber
Bolt & Nut	Mild Steel, Zinc Plated (Stainless Steel available upon request)

• PP TAPPING FERRULE

Reference Standard	JKR 20200-0055-99
Pipe Suitability	Polyethylene Pipe, PE 80 - SDR 11
	ISO 4427, MS 1058
	Unplasticised Polyvinyl Chloride pipe
	BS 3505 or MS 628
Working Pressure	PN12.5
Material	
Body	Polypropylene
Cap	Polypropylene
'O' Ring	Nitrile Butadiene Rubber
Cutter	Carbon Steel, Zinc Plated

• PE SOCKET FUSION FITTINGS

Reference Standard	DIN 16963
Pipe Suitability	Polyethylene Pipe, PE 80 & PE100
	ISO 4427, MS 1058
Working Pressure	PN12.5
Material	
Body	Polyethylene - PE 80
Threaded Part	Brass

• PE FABRICATED ELBOW, TEE & CROSS

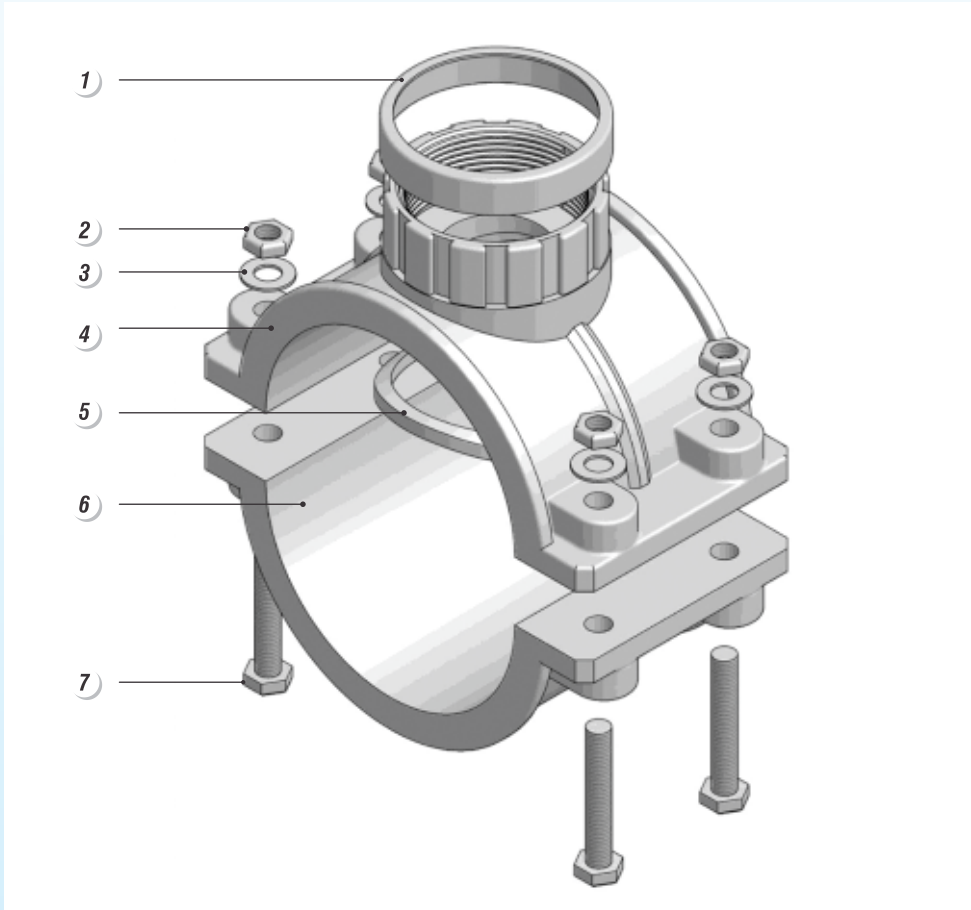
Reference Standard	DIN 16963
Pipe Suitability	Polyethylene Pipe, PE 80 / PE100
	ISO 4427, MS 1058

• PE STUB END, REDUCER, SPIGOT END CAP

Reference Standard	DIN 16963
Pipe Suitability	Polyethylene Pipe, PE 80 & PE 100
	SDR 21, 17, 13.6 & 11
	ISO 4427, MS 1058
Working Pressure	PN 6, 8, 10, 12.5 & 16
Material	Polyethylene PE 80 / PE 100

• PP THREADED FITTINGS

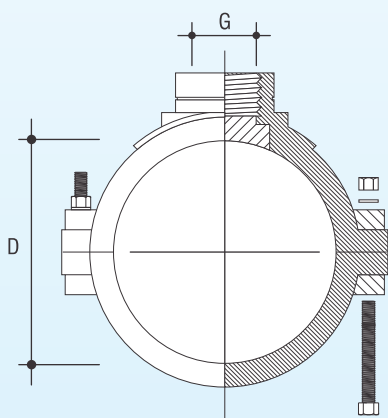
Reference Standard	BS 21, ISO 7
Material	Polypropylene



Components of a PP Clamp Saddle

Item	Name Of Part	Material
1	Reinforced Ring	Stainless Steel - Grade 304
2	Hexagon Nut	Mild Steel - Zinc Plated
3	Round Washer	Mild Steel - Zinc Plated
4	Body - Top	Reinforce Polypropylene
5	Gasket	Nitrile Butadiene Rubber
6	Body - Bottom	Reinforce Polypropylene
7	Hexagon Bolt	Mild Steel - Zinc Plated

Note: Stainless steel bolt, nut & washer available upon request.



PP Clamp Saddle for used with PE and other Metric Polymer Pipe

Product Code	D x G / mm x BSP	nos. of Bolt & Nut	Approx. wt. kg / pc	Standard Packing	
				bag(pcs)	box(pcs)
CS587CP	32 x 1/2"	2	0.20	240	160
CS518CP	32 x 3/4"	2	0.20	240	160
CS519CP	32 x 1"	2	0.20	240	160
CS594CP	40 x 1/2"	2	0.20	180	150
CS559CP	40 x 3/4"	2	0.20	180	150
CS520CP	40 x 1"	2	0.21	180	150
CS574CP	50 x 1/2"	2	0.21	150	150
CS523CP	50 x 3/4"	2	0.20	150	150
CS524CP	50 x 1"	2	0.21	150	150
CS575CP	63 x 1/2"	4	0.25	100	80
CS528CP	63 x 3/4"	4	0.25	100	80
CS529CP	63 x 1"	4	0.25	100	80
CS586CP	63 x 1 1/4"	4	0.26	100	80
CS576CP	75 x 1/2"	4	0.34	60	50
CS570CP	75 x 3/4"	4	0.34	60	50
CS571CP	75 x 1"	4	0.34	60	50
CS572CP	75 x 1 1/4"	4	0.35	60	50
CS573CP	75 x 1 1/2"	4	0.36	60	50
CS532CP	75 x 2"	4	0.38	60	50
CS577CP	90 x 1/2"	4	0.39	40	30
CS534CP	90 x 3/4"	4	0.38	40	30
CS535CP	90 x 1"	4	0.39	40	30
CS564CP	90 x 1 1/4"	4	0.40	40	30
CS565CP	90 x 1 1/2"	4	0.40	40	30
CS536CP	90 x 2"	4	0.43	40	30
CS578CP	110 x 1/2"	4	0.50	40	30
CS538CP	110 x 3/4"	4	0.50	40	30
CS539CP	110 x 1"	4	0.50	40	30
CS560CP	110 x 1 1/4"	4	0.51	40	30
CS561CP	110 x 1 1/2"	4	0.51	40	30
CS540CP	110 x 2"	4	0.53	40	30

Note: NBR 'O' Ring used for size 32-50mm

3D Gasket used for size 63mm-110mm

PP Clamp Saddle for used with PE and other Metric Polymer Pipe

Product Code	D x G / mm x BSP	nos. of Bolt & Nut	Approx. wt. kg / pc	Standard Packing	
				bag(pcs)	box(pcs)
CS579CP	125 x 1/2"	4	0.65	30	24
CS541CP	125 x 3/4"	4	0.65	30	24
CS542CP	125 x 1"	4	0.69	30	24
CS566CP	125 x 1 1/4"	4	0.64	30	24
CS543CP	125 x 2"	4	0.66	30	24

Note: 3D Gasket used

PP Clamp Saddle for used with PE and other Metric Polymer Pipe

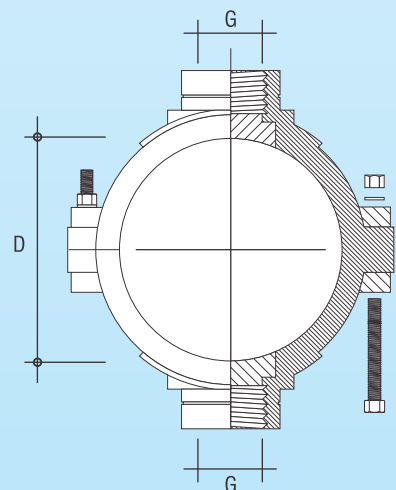
Product Code	D x G / mm x BSP	nos. of Bolt & Nut	Approx. wt. kg / pc	Standard Packing	
				bag(pcs)	box(pcs)
CS580CP	160 x 1/2"	6	0.66	20	15
CS544CP	160 x 3/4"	6	1.01	20	15
CS545CP	160 x 1"	6	1.01	20	15
CS562CP	160 x 1 1/4"	6	1.04	20	15
CS563CP	160 x 1 1/2"	6	1.00	20	15
CS546CP	160 x 2"	6	1.04	20	15
CS547CP	180 x 3/4"	6	1.66	15	10
CS548CP	180 x 1"	6	1.66	15	10
CS592CP	180 x 1 1/4"	6	1.63	15	10
CS593CP	180 x 1 1/2"	6	1.65	15	10
CS549CP	180 x 2"	6	1.67	15	10
CS595CP	200 x 1"	6	1.69	12	8
CS597CP	200 x 1 1/4"	6	1.70	12	8
CS596CP	200 x 1 1/2"	6	1.69	12	8
CS599CP	200 x 2"	6	1.67	12	8
CS550CP	225 x 3/4"	6	2.34	10	6
CS551CP	225 x 1"	6	2.38	10	6
CS567CP	225 x 1 1/4"	6	2.38	10	6
CS552CP	225 x 2"	6	2.38	10	6

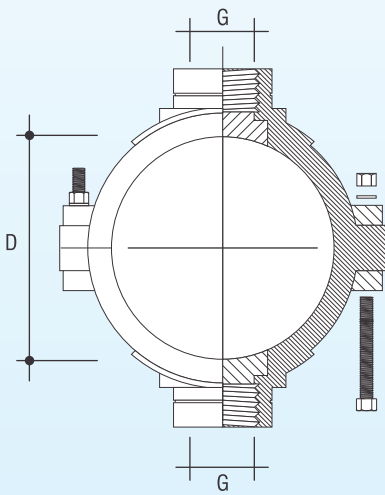
Note: 3D Gasket used

PP Clamp Saddle - Double Outlet for used with PE and other Metric Polymer Pipe

Product Code	D x G ₁ x G ₂ / mm x BSP x BSP	nos. of Bolt & Nut	Approx. wt. kg / pc	Standard Packing
				bag (pcs)
DS721CP	* 32 x 3/4" x 3/4"	2	0.16	200
DS722CP	* 32 x 1" x 3/4"	2	0.17	200
DS723CP	* 32 x 1" x 1"	2	0.18	200
DS765CP	* 40 x 3/4" x 3/4"	2	0.17	150
DS766CP	* 40 x 1" x 3/4"	2	0.18	150
DS767CP	* 40 x 1" x 1"	2	0.18	150
DS724CP	* 50 x 3/4" x 3/4"	2	0.17	120
DS725CP	* 50 x 1" x 3/4"	4	0.18	120
DS726CP	* 50 x 1" x 1"	4	0.18	120
DS727CP	* 63 x 3/4" x 3/4"	4	0.28	80
DS728CP	* 63 x 1" x 3/4"	4	0.28	80
DS729CP	* 63 x 1" x 1"	4	0.28	80

Note: NBR 'O' Ring used for size 32-50mm
3D Gasket used for size 63mm-110mm





PP Clamp Saddle - Double Outlet for used with PE and other Metric Polymer Pipe

Product Code	D x G ₁ x G ₂ / mm x BSP x BSP	nos. of Bolt & Nut	Approx. wt. kg / pc	Standard Packing bag (pcs)
DS771CP	* 75 x 3/4" x 3/4"	4	0.34	50
DS773CP	* 75 x 1" x 1"	4	0.37	50
DS774CP	* 75 x 1" x 3/4"	4	0.36	50
DS777CP	* 75 x 2" x 1"	4	0.41	50
DS776CP	* 75 x 2" x 2"	4	0.45	50
DS730CP	* 90 x 3/4" x 3/4"	4	0.40	25
DS731CP	* 90 x 1" x 3/4"	4	0.41	25
DS732CP	* 90 x 1" x 1"	4	0.41	25
DS783CP	* 90 x 1 1/4" x 1 1/4"	4	0.43	25
DS733CP	* 90 x 2" x 1"	4	0.45	25
DS734CP	* 90 x 2" x 2"	4	0.50	25
DS735CP	* 110 x 3/4" x 3/4"	4	0.54	24
DS736CP	* 110 x 1" x 3/4"	4	0.53	24
DS737CP	* 110 x 1" x 1"	4	0.53	24
DS790CP	* 110 x 1 1/4" x 1 1/4"	4	0.55	24
DS738CP	* 110 x 2" x 3/4"	4	0.57	24
DS739CP	* 110 x 2" x 1"	4	0.56	24
DS740CP	* 110 x 2" x 2"	4	0.65	24

Note: NBR 'O'Ring used for size 32mm-50mm

3D Gasket used for size 63mm-110mm

PP Clamp Saddle - Double Outlet for used with PE and other Metric Polymer Pipe

Product Code	D x G ₁ x G ₂ / mm x BSP x BSP	nos. of Bolt & Nut	Approx. wt. kg / pc	Standard Packing bag (pcs)
DS747CP	125 x 3/4" x 3/4"	4	0.66	20
DS749CP	125 x 1" x 1"	4	0.72	20
DS752CP	125 x 2" x 2"	4	0.73	20
DS741CP	160 x 3/4" x 3/4"	6	1.07	12
DS742CP	160 x 1" x 3/4"	6	1.09	12
DS743CP	160 x 1" x 1"	6	1.10	12
DS797CP	160 x 1 1/4" x 1 1/4"	6	1.12	12
DS744CP	160 x 2" x 3/4"	6	1.09	12
DS745CP	160 x 2" x 1"	6	1.10	12
DS746CP	160 x 2" x 2"	6	1.10	12
DS753CP	180 x 3/4" x 3/4"	6	1.73	8
DS754CP	180 x 1" x 1"	6	1.69	8
DS758CP	180 x 2" x 2"	6	1.79	8
DS759CP	225 x 3/4" x 3/4"	6	2.23	6
DS760CP	225 x 1" x 3/4"	6	2.30	6
DS761CP	225 x 1" x 1"	6	2.44	6
DS762CP	225 x 2" x 3/4"	6	2.23	6
DS763CP	225 x 2" x 1"	6	2.34	6
DS764CP	225 x 2" x 2"	6	2.23	6

Note: 3D Gasket used