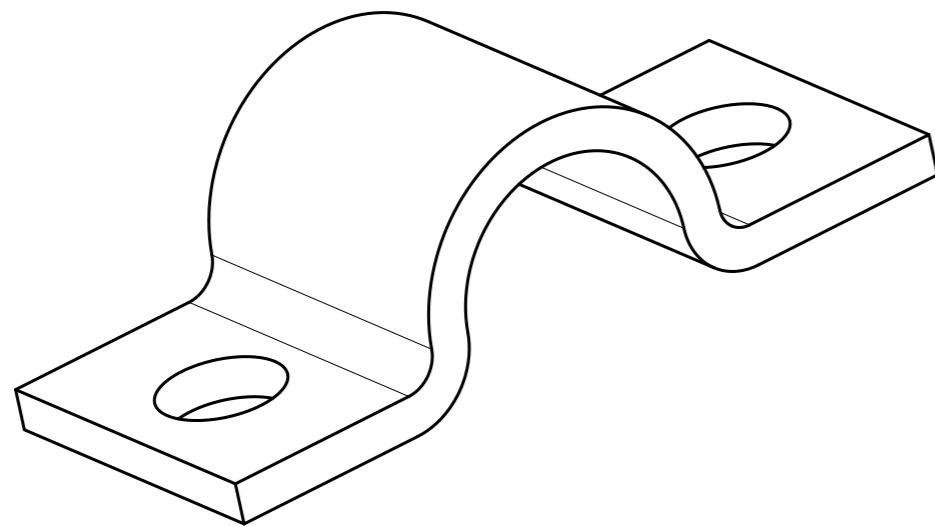
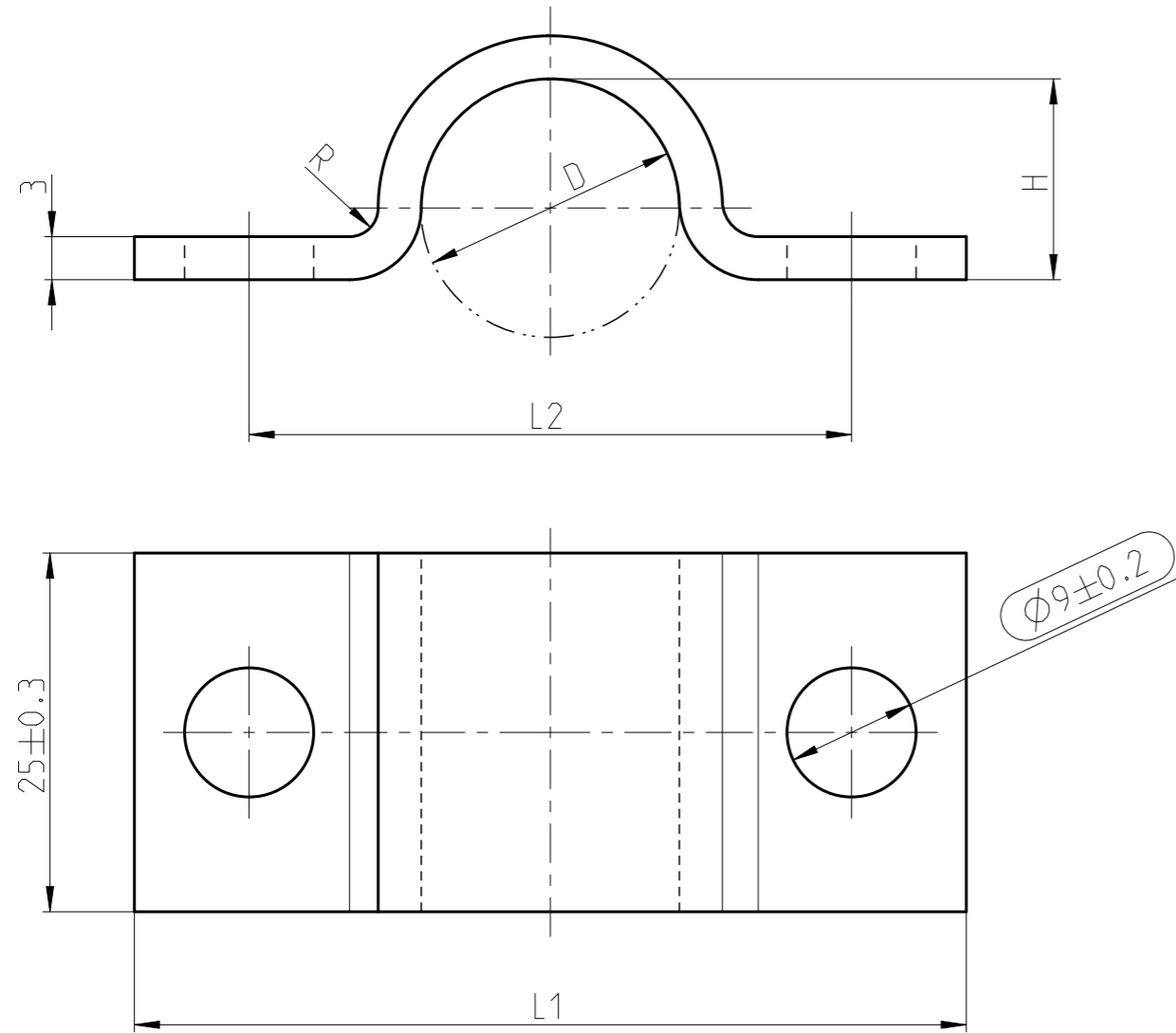


QUOTATION DRAWING



Material:	S 235 JR (1.0037)
Material-No.:	-
Surface:	-
GENERAL TOLERANCE:	DIN 6930-m
FORM AND POS. TOL.:	DIN ISO 2768-K
DEVIATION FOR ANGLE:	-

A

ZNE: 01-609714

Teilenummer PART-NO.	D	~H	L1	L2	R
0531 7000 010	10	7.0	49.0	33.0	2.0
0531 7000 012	12	8.0	50.0	34.0	2.0
0531 7000 013	13	9.5	52.0	36.0	2.0
0531 7000 015	15	12.5	55.0	39.0	2.5
0531 7000 018	18	14.0	58.0	42.0	2.5
0531 7000 019	19	15.0	60.0	44.0	3.0
0531 7000 020	20	16.0	69.0	49.0	3.0
0531 7000 022	22	18.0	69.0	53.0	3.0
0531 7000 023	23	19.0	82.0	56.0	3.5
0531 7000 026	26	22.0	84.0	58.0	3.5
0531 7000 028	28,5	24.0	89.0	63.0	4.0
0531 7000 031	31	27.0	90.0	64.0	4.0
0531 7000 036	36	32.0	106.0	80.0	4.0
0531 7000 039	39	34.5	110.0	84.0	4.5
0531 7000 043	43	38.5	115.0	89.0	4.5

Oberflaeche:
 Verzinkt gemass DIN EN 12329 Fe/Zn 8
 Dickschichtpassiviert mit HK10

Surface:
 Zinc coated acc. to DIN EN 12329 Fe/Zn 8
 Thick-film passivated with HK10

-	-	-	-	-	-	-	-	
-	-	-	-	-	-	-	-	
-	-	-	-	-	-	-	-	
1	A	1	Part and drawing no. corrected; Tolerance std. DIN ISO 2768-K added	01-612925	2015-10-29	MaLi	Breideband	
INDEX	QTY	REVISION SUMMARY			CHANGE-NO	DATE	DRAWN	CHECKED
PART	DWG							
1st ANGLE PROJECTION	ACCORDING TO:	-		PART NAME:				
	SCALE:	DATE: YYYY-MM-DD	NAME	BS5 Dx25x3 PIPE CLAMP				
	2:1	2012-08-06	Riefing					
	MM	2012-08-06	Geppert					
PROJECT-NO.:	NORMA Germany GmbH		CUSTOMER:		CUSTOMER-NO.:			
9990001436	Postfach 1149 63461 Maintal		-		-			
CAD-SYSTEM:	(C) COPYRIGHT NORMA GROUP		NORMA-NO.:		INDEX	TYPE	FORMAT	SHEET
Creo 2.0 M110	DIN ISO 16016		0531 7000 000		PART	DWG	A3	1/1
DRAWING-NAME.:	05317000000_q				1	A	Q	