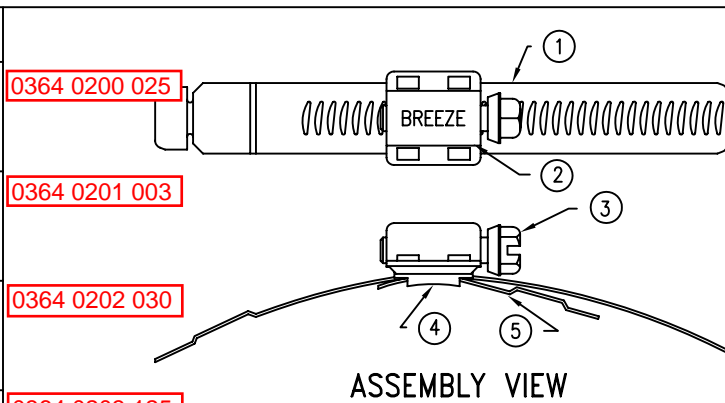


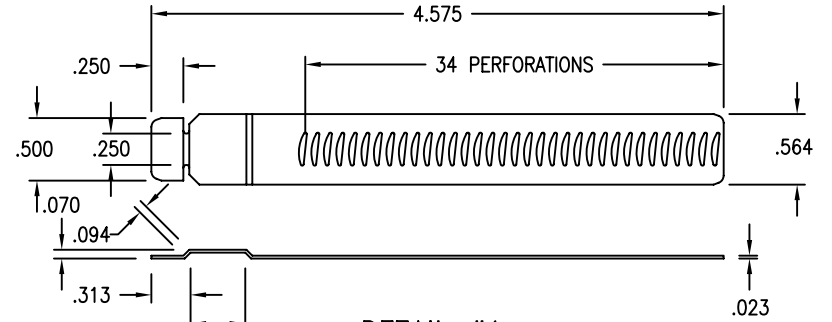
STOCK NO.	CONTENTS OF KIT
4000	"MINI" TOOL BOX \RETAIL KIT WITH 8.5 FT. (2.6m) BAND, 3 ADJ. FASTENERS AND 1 BAND SPLICE
4001	KIT CONTAINING 100 FT. (30.5m) BAND, 25 ADJUSTABLE FASTENERS AND 10 BAND SPLICES
4002	KIT CONTAINING 50 FT. (15.2m) BAND, 10 ADJUSTABLE FASTENERS AND 5 BAND SPLICES
4003	BOX OF 25 ADJUSTABLE FASTENERS
4004	BOX OF 10 ADJUSTABLE FASTENERS
4005	BOX CONTAINING 100 FT (30.5m) OF BAND AND 10 BAND SPLICES
4006	BOX CONTAINING 50 FT (15.2m) OF BAND AND 5 BAND SPLICES
4007	DEMONSTRATOR KIT WITH CLAMP AND 1 BAND SPLICE
4008	BOX CONTAINING 10 BAND SPLICES



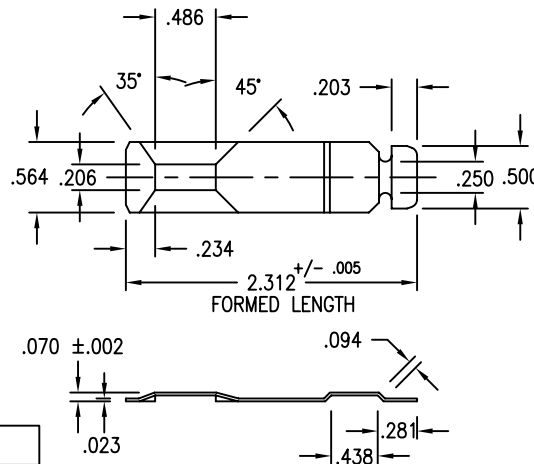
ASSEMBLY VIEW

NOTE:
FOR DETAILS ON COMPONENT PARTS 2, 3, 4
REFER TO DRAWINGS:
B-6067 (HOUSING) ©
B-7004 (SCREW)
B-7625 (SADDLE)

No.	REVISION	DATE	BY
6	FORMED LENGTH WAS FLAT LENGTH 2.312 WAS 2.30	11/25/03	WLH
7	BOM ITEM #4 - 301 SS WAS 302 & 301 SS (ECR 2004101201)	12/07/04	SM
8	REPLACED 1B7348X1000 W/4905 B COIL & 1B7348X2500 W/4925 B COIL (ECR 2005081901)	11/22/05	MAP
9	HOUSING WAS B-6099(ECR 2009042901)	4/30/09	MAP

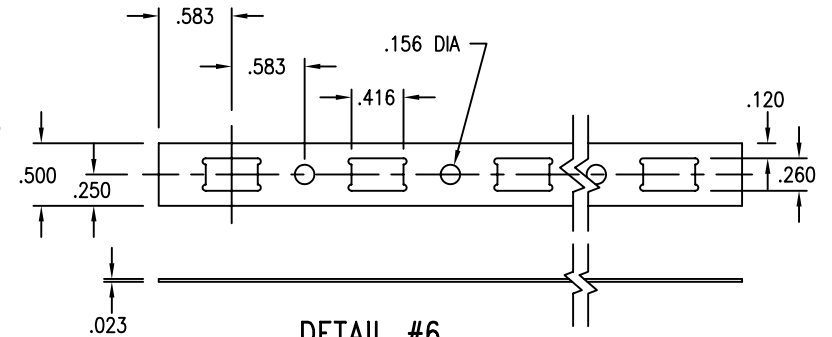


DETAIL #1
BAND NO. 1C7612PF



DETAIL #5

BAND NO. 1C7612SH



DETAIL #6

1B7348 = 9.328" OF PROCESSED BAND (ONE STROKE)
4905 B COIL = 1000 FT. OF PROCESSED BAND
4925 B COIL = 2500 FT. OF PROCESSED BAND

BILL OF MATERIAL

NO.	NAME	MATERIAL	REQ'D
1	PERFORATION END	.023 X .564 301 STAINLESS STEEL	1
2	HOUSING	301 STAINLESS STEEL	1
3	5/16 HEX HEAD SCREW	410 STAINLESS STEEL	1
4	SADDLE	301 STAINLESS STEEL	1
5	SCREW & HOUSING END	.023 X .564 301 STAINLESS STEEL	1
6	CONTINUOUS BAND	.023 X .500 301 STAINLESS STEEL	1

THE INFORMATION SHOWN ON THIS DRAWING CONSTITUTES PROPRIETARY INFORMATION OF BREEZE INDUSTRIAL PRODUCTS AND MAY NOT BE COPIED IN WHOLE OR IN PART WITHOUT WRITTEN PERMISSION.

SCALE : 1 : 1		
DRAWN	DATE	BY
CHECKED		
APPROVED		

BREEZE INDUSTRIAL PRODUCTS
SALTSBURG, PA. U.S.A.

TITLE:- MAKE A CLAMP DETAIL AND ASSEMBLY	
UNLESS NOTED, TOLERANCES ARE: .XX +/- .010 .XXX +/- .005 .XXXX +/-	FRACT. +/- 1/64 ANG. +/- 0 15'

B-9178