

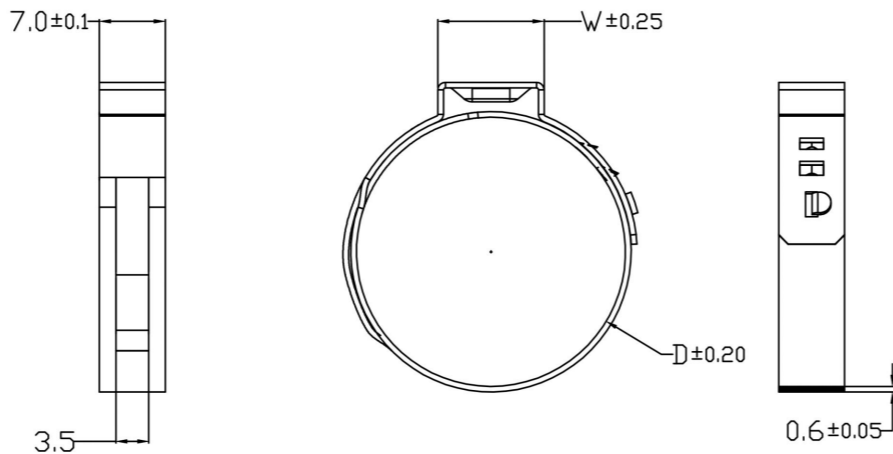
QUOTATION DRAWING



COMMON NOTES:
 1) MECHANICAL INTERLOCK MUST WITHSTAND 605N TENSILE LOAD WITHOUT LOSS OF FUNCTION.
 2) OUT OF ROUNDNESS TO BE MAX. 5% OF 'D' DIAMETER.
 3) CLAMP DIAMETER 'D' TO BE CHECKED ON A PLUG GAUGE.
 4) THERE ARE NO BURRS.
 5) PARTS SHALL WITHSTAND 720 HOURS NEUTRAL SALT SPRAY WITH NO RED RUST.

ITEM NO.	PART NUMBER	'D' DIAMETER	'W' BOOT WIDTH
18	G167331	29.9 - 33.1	10.0
17	G167316	28.4 - 31.6	10.0
16	G167286	25.4 - 28.6	10.0
15	G167271	23.9 - 27.1	10.0
14	G167256	22.4 - 25.6	10.0
13	G167226	19.4 - 22.6	10.0
12	G167210	17.8 - 21.0	10.0
11	G167198	16.6 - 19.8	10.0
10	G167185	15.3 - 18.5	10.0
9	G167175	15.0 - 17.5	8.0
8	G167168	14.3 - 16.8	8.0
7	G167160	13.5 - 16.0	8.0
6	G167157	13.2 - 15.7	8.0
5	G167145	12.0 - 14.5	8.0
4	G167138	11.3 - 13.8	8.0
3	G167133	10.8 - 13.3	8.0
2	G167128	10.3 - 12.8	8.0
1	G167123	9.8 - 12.3	8.0

REVISIONS				
REV.	DESCRIPTION	ISSUED BY	DATE	APPROVED
0	NEW RELEASE	Zhang Bingcang	17/02/2012	



UNIT: INCH [MM]	TITLE	NAME	DATE
UNLESS OTHERWISE SPECIFIED:	GAP DRAWN	Gu Mingjie	10/02/12
TOLERANCES: ANGULAR: MACH ±1/2° NO DECIMALS: ±0.5mm ONE PLACE DECIMAL: ±0.2mm TWO PLACE DECIMAL: ±0.1mm	GAP CHECKED	Zhang Jujian	15/02/12
	GAP ENGINEERING	Zhang Bingcang	15/02/12
	GAP QUALITY		
	GAP SOURCING		
MATERIAL	Stainless Steel of SUS304 Grade or DIN 1.4301		
FINISH			
COLOR			

SIZE	DWG. NO.	REV
A4	SLC-02	0
SCALE: 1:1	PROJECTION:	SHEET 10F1

ITEM NO.	PART NO.	DESCRIPTION	SIZE mm	PCS/BAG
1	0110 7247 123	Ear Clip Pro360 9.8-12.3 W4	9.8-12.3	100
2	0110 7247 128	Ear Clip Pro360 10.3-12.8 W4	10.3-12.8	100
3	0110 7247 133	Ear Clip Pro360 10.8-13.3 W4	10.8-13.3	100
4	0110 7247 138	Ear Clip Pro360 11.3-13.8 W4	11.3-13.8	100
5	0110 7247 145	Ear Clip Pro360 12.0-14.5 W4	12.0-14.5	100
6	0110 7247 157	Ear Clip Pro360 13.2-15.7 W4	13.2-15.7	100
7	0110 7247 160	Ear Clip Pro360 13.5-16.0 W4	13.5-16.0	100
8	0110 7247 168	Ear Clip Pro360 14.3-16.8 W4	14.3-16.8	100
9	0110 7247 175	Ear Clip Pro360 15.0-17.5 W4	15.0-17.5	100
10	0110 7247 185	Ear Clip Pro360 15.3-18.5 W4	15.3-18.5	100
11	0110 7247 198	Ear Clip Pro360 16.6-19.8 W4	16.6-19.8	100
12	0110 7247 210	Ear Clip Pro360 17.8-21.0 W4	17.8-21.0	100
13	0110 7247 226	Ear Clip Pro360 19.4-22.6 W4	19.4-22.6	100
14	0110 7247 256	Ear Clip Pro360 22.4-25.6 W4	22.4-25.6	100
15	0110 7247 271	Ear Clip Pro360 23.9-27.1 W4	23.9-27.1	100
16	0110 7247 286	Ear Clip Pro360 25.4-28.6 W4	25.4-28.6	100
17	0110 7247 316	Ear Clip Pro360 28.4-31.6 W4	28.4-31.6	100
18	0110 7247 331	Ear Clip Pro360 29.9-33.1 W4	29.9-33.1	100

INDEX PART	DWG	QTY	REVISION SUMMARY		CHANGE-NO	DATE	DRAWN	CHECKED
-	-	-	-	-	-	-	-	-
-	-	-	-	-	-	-	-	-
-	-	-	-	-	-	-	-	-
-	-	-	-	-	-	-	-	-
1st ANGLE PROJECTION			ACCORDING TO: DIN EN ISO 1101		PART NAME: STEPLESS CLAMP			
			SCALE: 1:1	DATE: YYYY-MM-DD	CUSTOMER: -			
			DRAWN	2022-08-24				
PROJECT-NO.: -			NORMA Germany GmbH Postfach 1149 63461 Maintal		CUSTOMER-NO: -			
CAD-SYSTEM: Creo 8.0 8.0.1.0			(C) COPYRIGHT NORMA GROUP DIN ISO 16016		NORMA-NO.: 0110 7247 000			
DRAWING-NAME.: 01107247000_Q					INDEX PART DWG TYPE FORMAT SHEET - - Q A3 1/1			