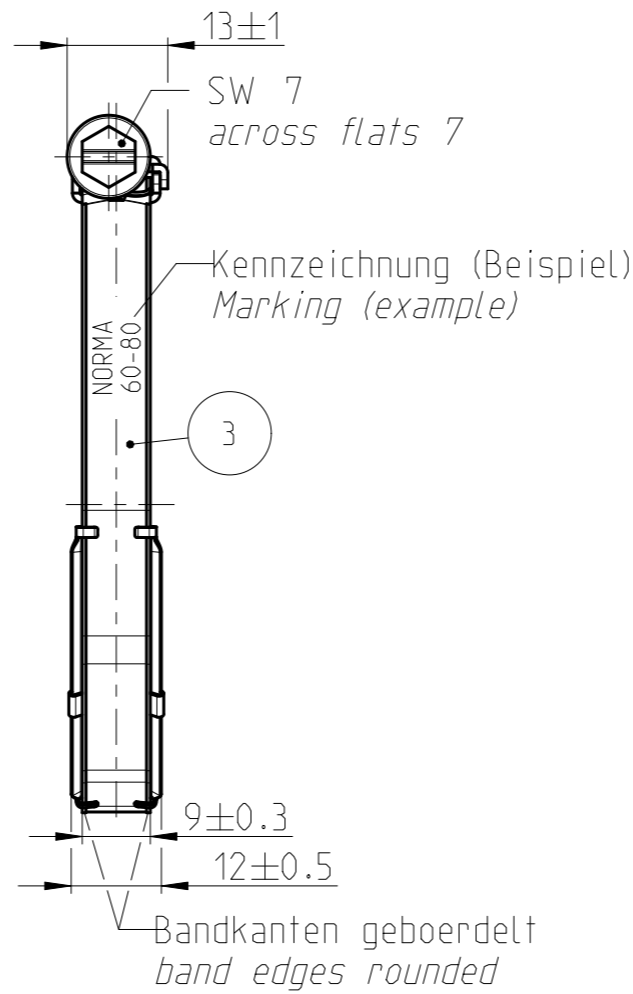
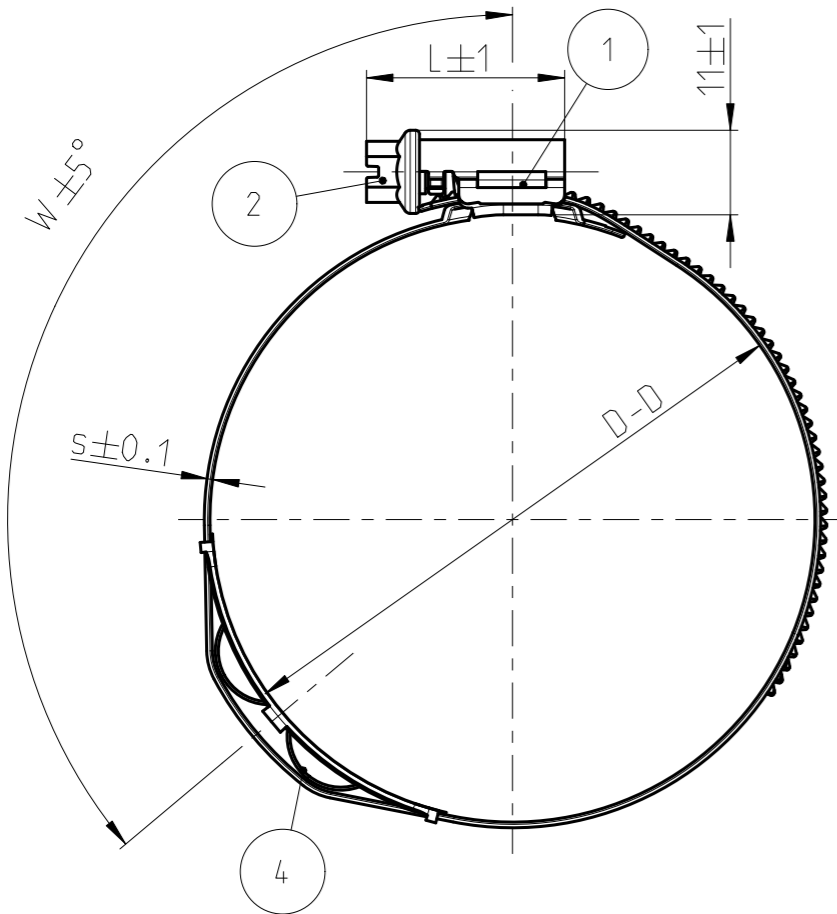


QUOTATION DRAWING

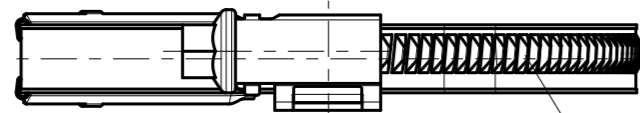
Teil-Nr. ITEM-NO.	Stueck QTY.	Benennung PART - NAME	Werkstoff MATERIAL	Oberflaeche SURFACE
1	1	TORRO Gehaeuse 9 TORRO Housing 9	1.4016 AISI 430	blank uncoated
2	1	TORRO Schraube 9 TORRO Screw 9	1.4016 AISI 430	verzinkt tin plated
3	1	TORRO Band 9 TORRO Band 9	1.4016 AISI 430	blank uncoated
4	1	TORRO Wellfeder 9 TORRO Spring 9	1.4310 AISI 301	blank uncoated



Andrehmoment: L21: empfohlen 2 - 2.5 Nm
L24/26: empfohlen 3 - 3.5 Nm

Tightening torque: L21: recommended 2 - 2.5 Nm
L24/26: recommended 3 - 3.5 Nm

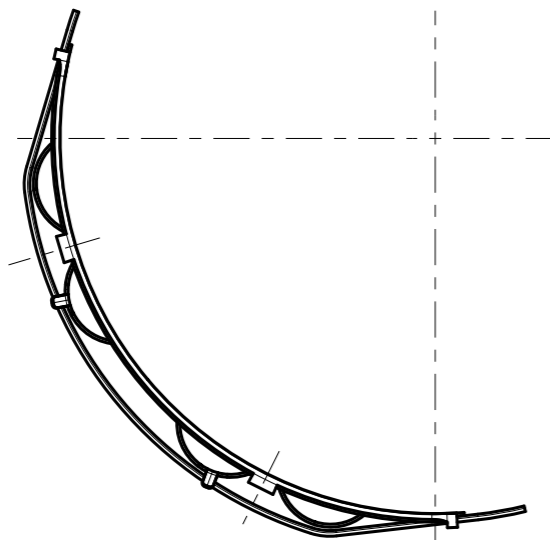
Einschraubgeschwindigkeit: max. 350 1/min
Tightening speed: max. 350 1/min



Wellfedergeometrie ab
Anlieferdurchmesser: 90
Spring geometry ex
Shippingdiameter: 90

Bandpraegung asymmetrisch
asymmetrical band stamp

NORMA Herstellercode auf Bandinnenseite
NORMA BATCH CODE BAND INSIDE



GENERAL TOLERANCE:	DIN 6930-2-m
FORM AND POS. TOL.:	DIN ISO 2768-K
DEVIATION FOR ANGLE:	-

-	L	1	D-D 10-16 was 08-16; Angle 110° was 90°	01-614023	2017-08-05	Panchal	Krueger		
-	K	1	Part no updated 0127 0708 052 (42-62) was 0127 0708 053 (43-63)	01-613339	2016-07-27	Pawar	Krueger		
-	J	1	Part no 0127 0708 053 (43-63) added	01-613299	2016-07-06	Lantsmann	Leusner		
-	H	2	Variante 16-28 (0127 0708 022) und 16-29 (0127 0708 023) hinzu	01-608293	2010-03-18	Rottenbach	Krauss		
INDEX PART DWG QTY				REVISION SUMMARY		CHANGE-NO	DATE	DRAWN	CHECKED

1st ANGLE PROJECTION		ACCORDING TO: DIN EN ISO 1101			PART NAME: NORMACLAMP						
	SCALE:	DATE: YYYY-MM-DD	NAME		TORRO D-D/9 A/F7 W3 WF TORRO D-D/9 C7 W3 WF						
	1:1	DRAWN 2003-05-08	Krauss								
	MM	CHECKED 2003-05-08	Schmidt								
PROJECT-NO.: 9990001428		NORMA Germany GmbH Postfach 1149 63461 Maintal			CUSTOMER: -			CUSTOMER-NO: -			
CAD-SYSTEM: Creo 3.0 M110		(C) COPYRIGHT NORMA GROUP DIN ISO 16016			NORMA-NO.: 0127 0708 000		INDEX PART DWG	TYPE	FORMAT	SHEET	
DRAWING-NAME.: 01270708000_Q							-	L	Q	A3	1/2

QUOTATION DRAWING

Pos.	L±1	s±0.1	D-D	W ±5°	Anliefer- ϕ +2 SHIPPING- ϕ +2	Benennung PART - NAME	Teilenummer PART - NO.
L → 1	21	0.65	10-16	110	16	TORRO 10-16/9 A/F7 W3 WF	0127 0708 013
2	21	0.65	10-18	110	18	TORRO 10-18/9 A/F7 W3 WF	0127 0708 014
3	24	0.65	12-20	110	20	TORRO 12-20/9 A/F7 W3 WF	0127 0708 016
4	24	0.65	12-22	100	22	TORRO 12-22/9 A/F7 W3 WF	0127 0708 017
5	24	0.65	12-18	110	18	TORRO 12-18/9 A/F7 W3 WF	0127 0708 018
6	24	0.65	16-25	110	25	TORRO 16-25/9 A/F7 W3 WF	0127 0708 020
7	24	0.65	16-27	110	27	TORRO 16-27/9 A/F7 W3 WF	0127 0708 021
H → 8	24	0.65	16-28	110	28	TORRO 16-28/9 A/F7 W3 WF	0127 0708 022
9	24	0.65	16-29	110	29	TORRO 16-29/9 A/F7 W3 WF	0127 0708 023
10	24	0.65	16-30	110	30	TORRO 16-30/9 A/F7 W3 WF	0127 0708 024
11	24	0.65	20-32	110	32	TORRO 20-32/9 A/F7 W3 WF	0127 0708 026
12	24	0.65	23-35	110	35	TORRO 23-35/9 A/F7 W3 WF	0127 0708 029
13	26	0.65	25-40	120	40	TORRO 25-40/9 A/F7 W3 WF	0127 0708 032
14	26	0.65	30-45	120	45	TORRO 30-45/9 A/F7 W3 WF	0127 0708 037
15	26	0.65	32-50	120	50	TORRO 32-50/9 A/F7 W3 WF	0127 0708 041
16	26	0.65	32-52	120	52	TORRO 32-52/9 A/F7 W3 WF	0127 0708 042
17	26	0.65	35-55	120	55	TORRO 35-55/9 A/F7 W3 WF	0127 0708 045
18	26	0.65	40-60	120	60	TORRO 40-60/9 A/F7 W3 WF	0127 0708 050
J K → 19	26	0.65	42-62	120	62	TORRO 42-62/9 A/F7 W3 WF	0127 0708 052
20	26	0.65	44-64	120	64	TORRO 44-64/9 A/F7 W3 WF	0127 0708 054
21	26	0.65	45-65	120	65	TORRO 45-65/9 A/F7 W3 WF	0127 0708 055
22	26	0.65	50-70	130	70	TORRO 50-70/9 A/F7 W3 WF	0127 0708 060
23	26	0.65	55-75	130	75	TORRO 55-75/9 A/F7 W3 WF	0127 0708 065
24	26	0.65	60-80	130	80	TORRO 60-80/9 A/F7 W3 WF	0127 0708 070
25	26	0.65	65-85	130	85	TORRO 65-85/9 A/F7 W3 WF	0127 0708 075
26	26	0.65	70-90	130	90	TORRO 70-90/9 A/F7 W3 WF	0127 0708 080
27	26	0.65	75-95	130	95	TORRO 75-95/9 A/F7 W3 WF	0127 0708 085
28	26	0.65	80-100	130	100	TORRO 80-100/9 A/F7 W3 WF	0127 0708 090
29	26	0.65	85-105	130	105	TORRO 85-105/9 A/F7 W3 WF	0127 0708 095
30	26	0.65	90-110	130	110	TORRO 90-110/9 A/F7 W3 WF	0127 0708 100
31	26	0.65	100-120	130	120	TORRO 100-120/9 A/F7 W3 WF	0127 0708 110
32	26	0.65	110-130	130	130	TORRO 110-130/9 A/F7 W3 WF	0127 0708 120
33	26	0.65	120-140	130	140	TORRO 120-140/9 A/F7 W3 WF	0127 0708 130
34	26	0.65	130-150	130	150	TORRO 130-150/9 A/F7 W3 WF	0127 0708 140
35	26	0.65	140-160	130	160	TORRO 140-160/9 A/F7 W3 WF	0127 0708 150
36	26	0.65	150-170	130	170	TORRO 150-170/9 A/F7 W3 WF	0127 0708 160
37	26	0.65	160-180	130	180	TORRO 160-180/9 A/F7 W3 WF	0127 0708 170

-	-	-	-	-	-	-	-	-	-		
-	-	-	-	-	-	-	-	-	-		
-	-	-	-	-	-	-	-	-	-		
-	-	-	-	-	-	-	-	-	-		
INDEX	QTY	REVISION SUMMARY				CHANGE-NO	DATE	DRAWN	CHECKED		
PART	DWG										
1st ANGLE PROJECTION		ACCORDING TO: DIN EN ISO 1101			PART NAME:						
		SCALE:	DATE: YYYY-MM-DD	NAME	NORMACLAMP TORRO D-D/9 A/F7 W3 WF TORRO D-D/9 C7 W3 WF						
		1:1	2003-05-08	Krauss							
		MM	2003-05-08	Schmidt							
PROJECT-NO.: 9990001428		NORMA Germany GmbH Postfach 1149 63461 Maintal			CUSTOMER:		CUSTOMER-NO.:				
					-		-				
CAD-SYSTEM: Creo 3.0 M110		(C) COPYRIGHT NORMA GROUP DIN ISO 16016			NORMA-NO.:		INDEX	TYPE	FORMAT	SHEET	
					0127 0708 000		PART	DWG	Q	A3	2/2
DRAWING-NAME.: 01270708000_Q							-	L			